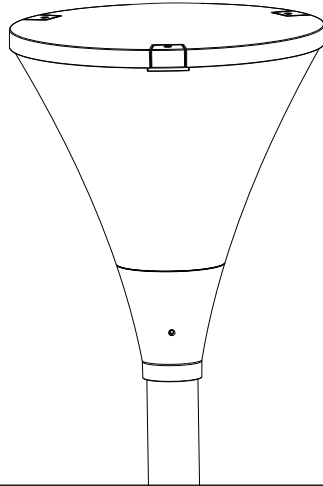
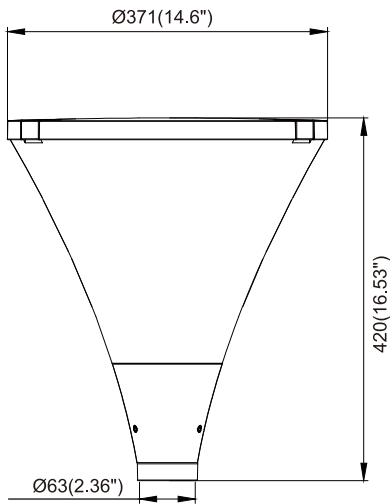


LED Post Top

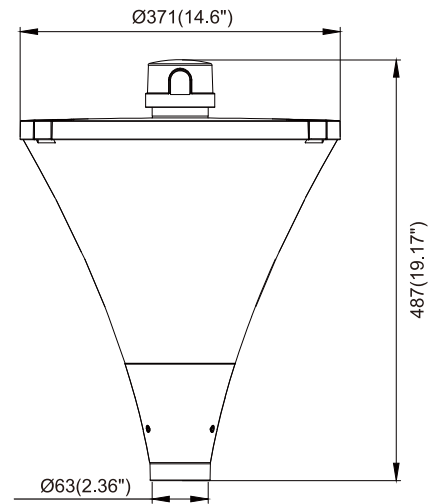
Instruction Manual



Physical Dimensions(Unit: mm/inch)



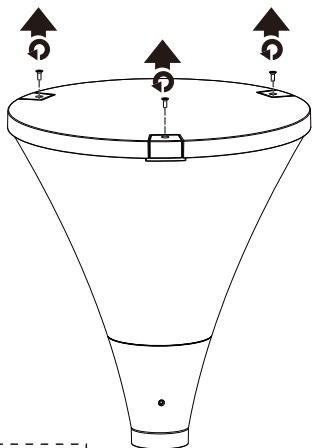
Standard version



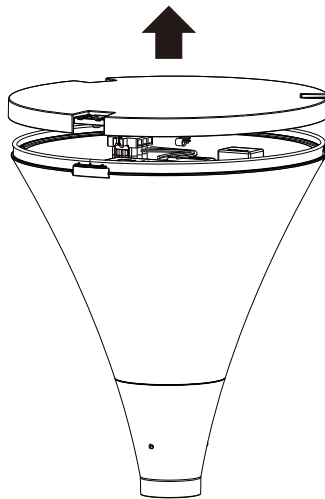
Photocell version

3 CCT+4 Power selectable

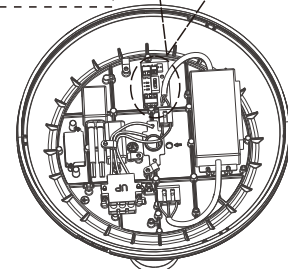
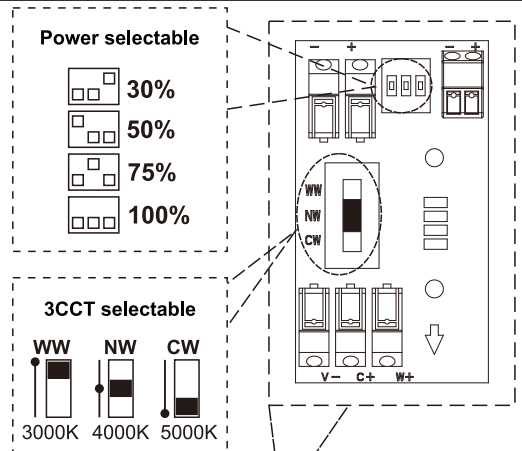
1.



2.



3.

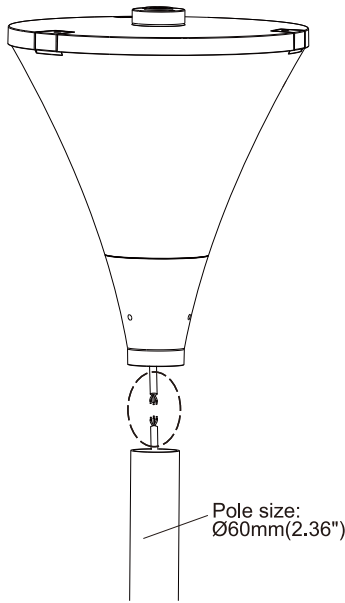


LED Post Top

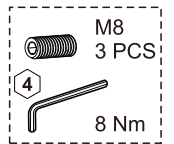
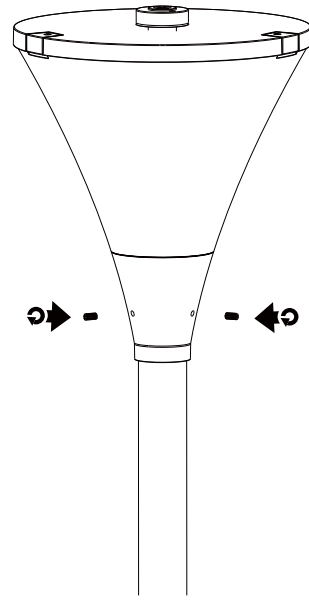
Instruction Manual

Installation

1. 

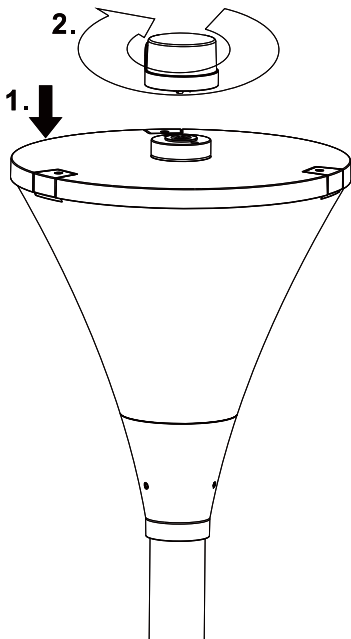


2. 







* Please make sure the luminaire is properly grounded.

3. 



Product Specifications	20W	40W	60W
Luminescent mode	Direct Lighting		
Input Voltage	100-277 VAC		
Power Frequency	50 / 60Hz		
Outlook Dimensions	Ø371x420mm(Ø14.6"x16.53")		
Luminaire Net Weight	4.6±0.3kg(10.14±0.66Lbs)		
Projected Area	0.09m²(0.98ft²)		
Working Temperature	-30°C to +50°C(-22°F to +122°F)		
Storing Temperature	-40°C to +70°C(-40°F to +158°F)		

Dimmable

	DIM+/DA1	purple	or	purple	or	blue	or	brown	or	black	or	red
	DIM-/DA2	gray		pink		white		blue		gray		orange
	DIM+/DA1	purple		purple		purple		purple		purple		
	DIM-/DA2	gray	or	pink	or	gray	or	pink				
	Aux 12Vdc +	pink		black/white		black/white		red				
	DIM+/DA1	purple		purple		purple						
	DIM-/DA2	gray	or	pink	or	pink						
	Aux 12Vdc +	pink	or	black/white	or	black/white						
	Aux 12Vdc -	black/white		blue/white		orange						
	L	brown		black		black						
	N	blue		white		white						
	⊕GND	yellow/green	or	green	or	green						
	DIM+/DA1	black		red		brown						
	DIM-/DA2	gray		orange		blue						



Warning! do not wire dim cord to high voltage, or dim function will fail.

- The light source contained in this luminaire shall only be replaced by the manufacturer or his service agent or a similar qualified person.
- For type Y attachments:
if the external flexible cable or cord of this luminaire is damaged, it shall be exclusively replaced by the manufacturer or his service agent or a similar qualified person in order to avoid a hazard.